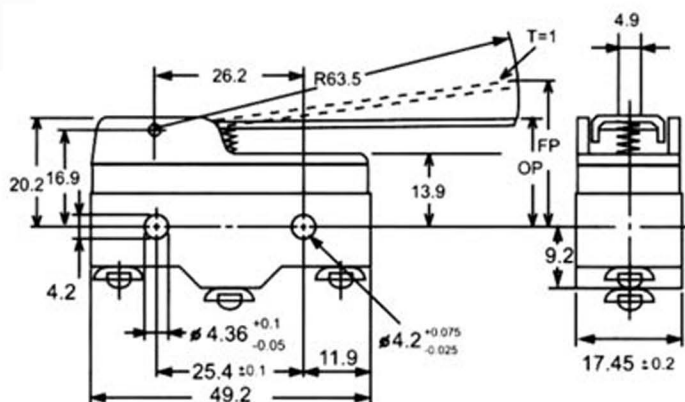


Z-15GW



Features :

General Standard

Specifications:

Operating Frequency: 0.01mm-1m/sec

Rated Voltage/Current: 15/600VAC(UL file 240199)

Service Life: Mechanically 1×10⁷ (operations)
Electrically 5×10⁵ (operations)

Operating Temperature: about -25~+80 (-4~+176)

Humidity: <95%RH

Degree of protection: IP00/IP63

Dielectric Strength:

1000VAC for 1 min between current carrying parts

2500VAC for 1 min between non-current carrying parts

Operating Characteristics

- OF_{max} 0.69N
- RF_{min} 0.14N
- PT_{max} 10mm
- OT_{min} 5.6mm
- MD_{max} 2mm
- FP_{max} 28.2mm
- OP 19.1±0.7mm